



2VM – Direct Mount

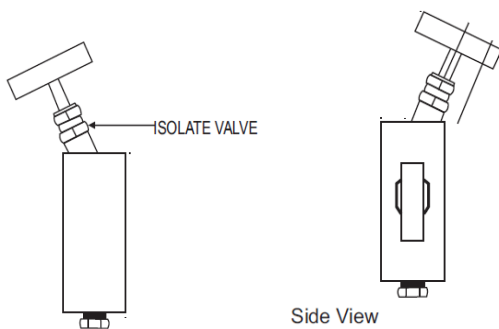
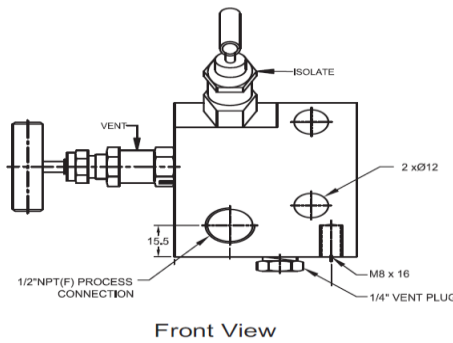
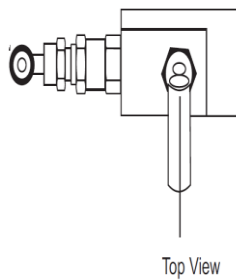
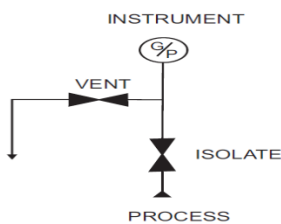
Model : CEI-2-MV-DM

With threaded horizontal port inlet with a Flange outlet instrument connection. A vent/test port on base. The venting bonnet is positioned on the left hand side and the isolating bonnet angular on the top.



Features:

- Withstand high pressure and temperature
- For a higher temperature graphite packing is used.



Technical Specification

- Max. Pressure : 400bar / 6000psi
- Max. Temperature : 240°C
- Material : SS304/SS316, A105
SS304L/SS316L,
Monel, Hastelloy, Inconel,
- Gland Packing : PTFE, Graphite
- Std. Process Connection : 1/2" NPT (F)
- Std. Drain Connection : As per customer requirement

Product 2MV-DM	Process side 1/2" NPT F	Instrument Side Flange	Vent/Test 1/4"NPT F
-------------------	----------------------------	---------------------------	------------------------