



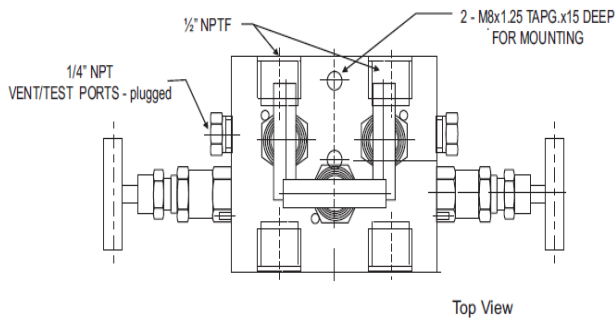
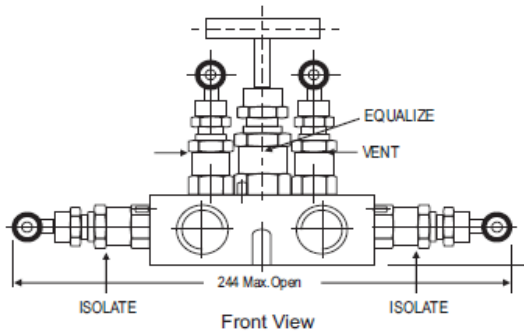
5VM – Pipe to Pipe

Model : CEI-5-MV-R

With threaded female ports on front side and back side for instrument and process connections. The two vent bonnets along with equalizing bonnet are positioned on the top side. The two isolation bonnets are positioned on left and right hand sides.

Features:

- Withstand high pressure and temperature
- For a higher temperature grafoil packing is used.
- Reduce number of fittings and space required for installation.
- Bonnet lock prevents accidents disassembly.



Technical Specification

- Max. Pressure : 400bar / 6000psi
- Max. Temperature : 240°C
- Material : SS304/SS316, A105
SS304L/SS316L,
Monel, Hastelloy, Inconel,
- Gland Packing : PTFE, Graphite
- Std. Process Connection : 1/2" NPT (F)
- Std. Drain Connection : As per customer requirement

Product 5VM	Process Side 1/2" NPT F	Instrument Side 1/2" NPT F	Vent/Test 1/4" NPT F
----------------	----------------------------	-------------------------------	-------------------------