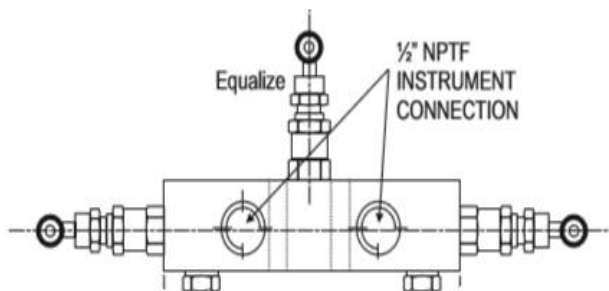
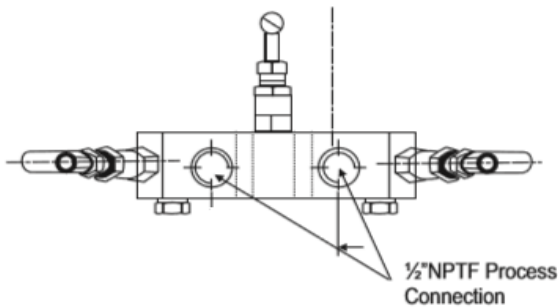
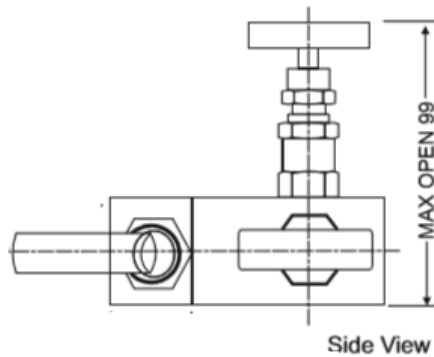
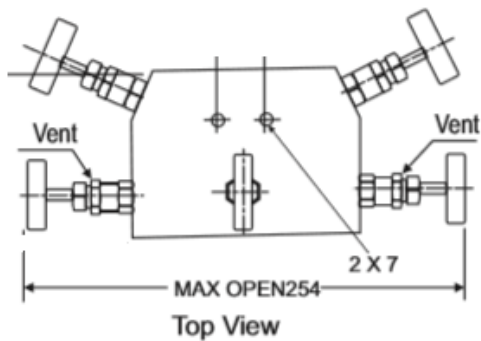
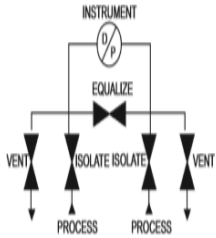
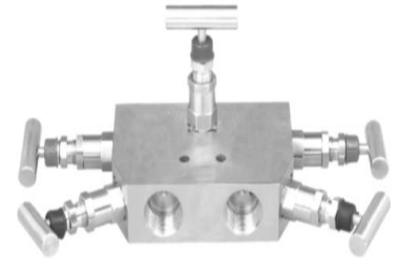




# 5VM – Remote Type

Model : CEI-5-MV-RT

With threaded vertical port inlets and outlets. The isolating and venting bonnets are positioned on the left and right hand side and the equalizing bonnet is positioned on the front side. Designed for remote mounting.



Technical Specification	
• Max. Pressure	: 400bar / 6000psi
• Max. Temperature	: 240° C
• Material	: SS304/SS316, A105 SS304L/SS316L, Monel, Hastelloy, Inconel,
• Gland Packing	: PTFE, Graphite
• Std. Process Connection	: 1/2" NPT (F)
• Std. Drain Connection	: As per customer requirement