



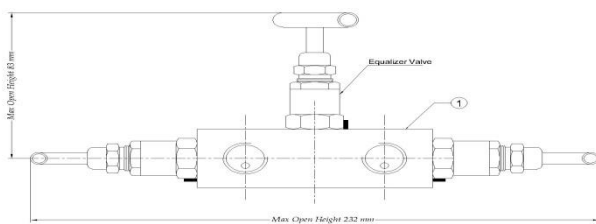
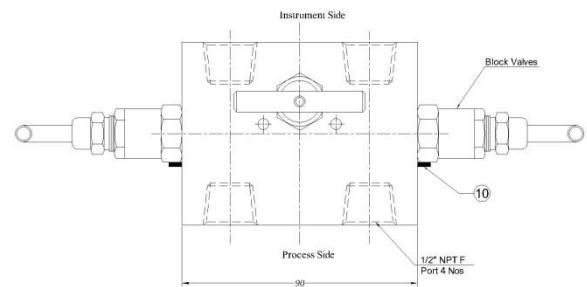
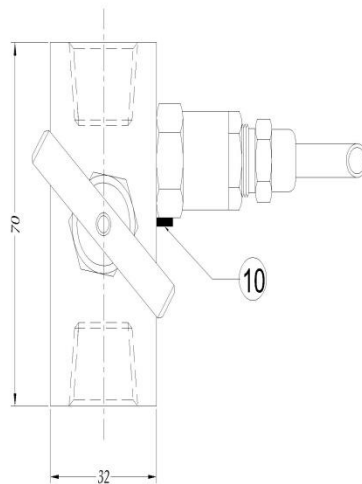
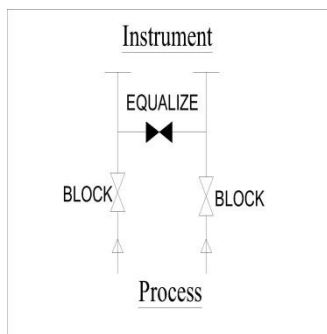
3VM – Pipe to Pipe

Model : CEI- 3-MV-R

CEIPL 3-Valve Manifold, Pipe to Pipe Type. One equalizer Valve & two Isolation Valve Threaded on both Instrument, Process side 1/2" NPT (F). Two mounting Holes are provided for 1/4" bolts used DP Gauge, Pressure Transmitters & Pressure Switches.

**Features:**

- Withstand high pressure and temperature
- For a higher temperature graphite packing is used.
- Reduce number of fittings and space required for installation.
- Bonnet lock prevents accidents disassembly.

**Technical Specification**

- Max. Pressure : 400bar / 6000psi
- Max. Temperature : 240° C
- Material : SS304/SS316, A105
SS304L/SS316L,
Monel, Hastelloy, Inconel,
- Gland Packing : PTFE, Graphite
- Std. Process Connection : 1/2" NPT (F)
- Std. Drain Connection : As per customer requirement