



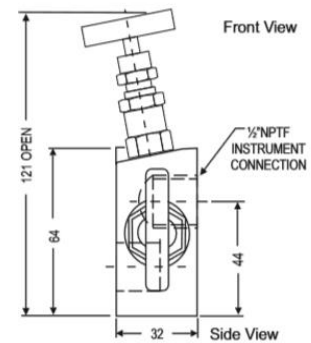
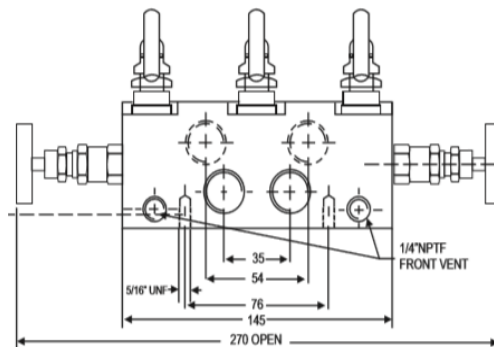
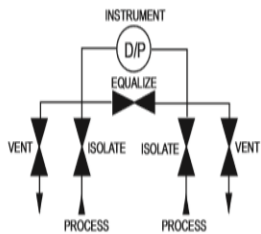
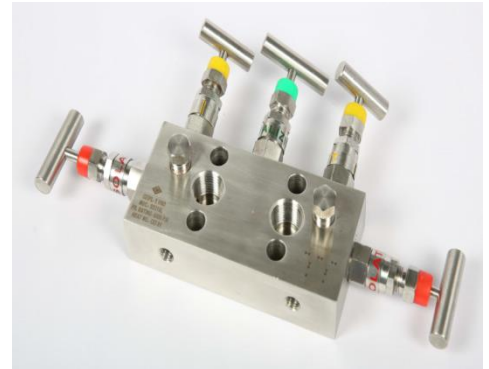
# 5VM – Direct Mount

Model : CEI-5-MV-DM

These manifold block incorporate five valves, two main valves for process isolation valve for vent one for equalizing.

### Features:

- Withstand high pressure and temperature.
- For a higher temperature grafoil packing is used.
- Reduce number of fittings and space required for installation.
- Bonnet lock prevents accidents disassembly.



### Technical Specification

- Max. Pressure : 400bar / 6000psi
- Max. Temperature : 240° C
- Material : SS304/SS316, A105  
SS304L/SS316L,  
Monel, Hastelloy, Inconel,
- Gland Packing : PTFE, Graphite
- Std. Process Connection : 1/2" NPT (F)
- Std. Drain Connection : As per customer requirement