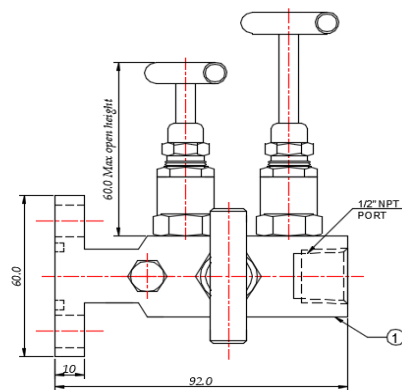
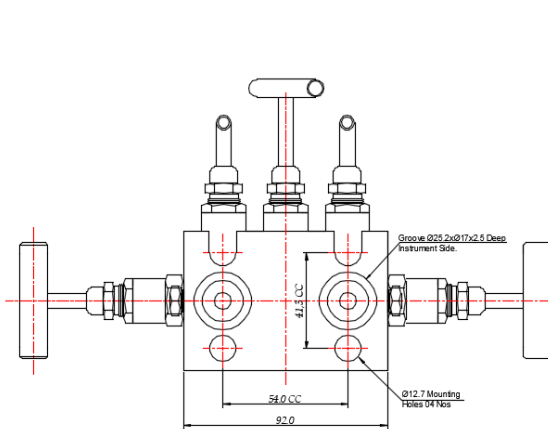
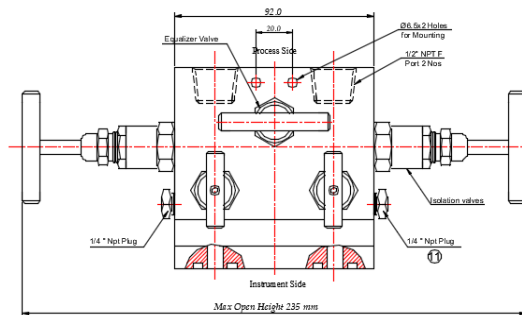
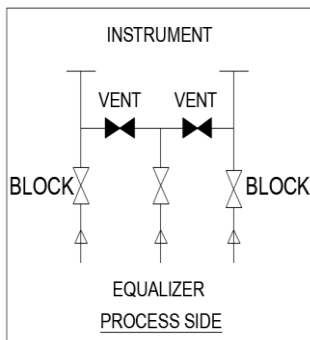




5VM – Pipe to Flange

Model : CEI-5-MV-T

With threaded female ports on front side for instrument connection along with extended Flange for process connection. The two vent bonnets along with equalizing bonnet is positioned on the top side. The two isolation bonnets are positioned on left and right hand sides.



Technical Specification

- Max. Pressure : 400bar / 6000psi
- Max. Temperature : 240° C
- Material : SS304/SS316, A105
SS304L/SS316L,
Monel, Hastelloy, Inconel,
- Gland Packing : PTFE, Graphite
- Std. Process Connection : 1/2" NPT (F)
- Std. Drain Connection : As per customer requirement