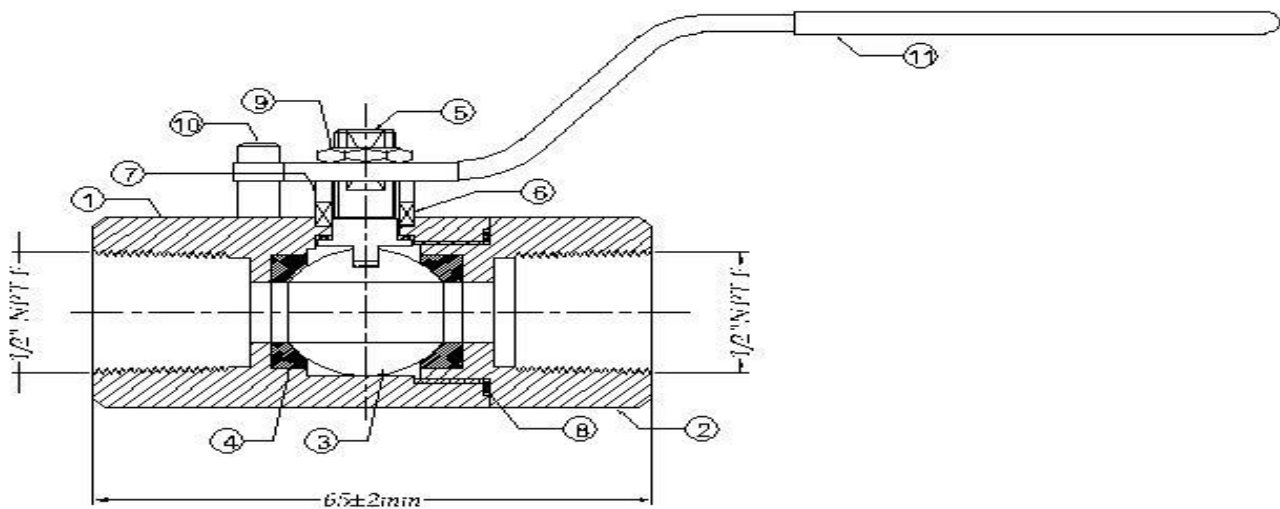




BALL VALVE

2-way on off 3,4 or 5 way switching models .heavy directional black phenolic handle or lever handle. Blow-out proof bottom loaded stem. Low operation torque and with panel mounting facelifts. Series of end connections 1/4" to 1" NPT and BSP, Male or Female threaded ends single or twin ferrule tube fitting ends. Floating Ball Design for positive sealing.

Maximum working pressure up to 10000 PSI.



BALL VALVE 2Pc Design

Sl.No	Description	Material
1	BODY	SS 316
2	END PIECE	SS 316
3	BALL	SS 316
4	SEAT	PTFE
5	STEM	SS 316
6	PACKING	PTFE
7	GLAND	SS 316
8	BODY SEAL	PTFE
9	CHECK NUT	SS 316
10	STOPPER PIN	SS
11	HANDLE	MS Powder Coated with PU Sleeve



ODT Forging Ball Valve



NPT DBB Ball Valve



Forged Ball Valve 3-Piece NPT



Forge Ball Valve



CEIPL



Ball Valve Panel MTD



ODT Ball Valve