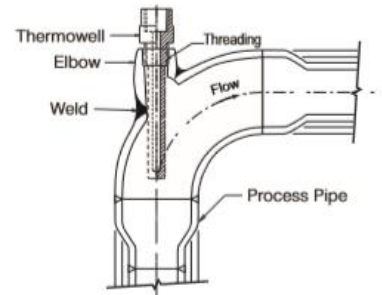




# THEMOWELLS

## I. Bar Stock (Screwed)

These Thermowells are manufactured from solid bar stock and installed into the process with the help of threaded process connection. This design is suitable for all type of RTD's, Thermocouples, mechanical as well as digital thermometers. Available in various shapes like Straight, Straight with reduced tip, Partial taper & full taper.



### Thermowells Installation

### Application

Chemical plants, Petrochemical Plants, Engineering Plants, On shore, Off shore & other similar process industries.

### Drawings:

A - Finished Head Size

B - Instrument Connection

C - Process Connection

F - Major Diameter

D - Bore Diameter

E - Tip Thickness

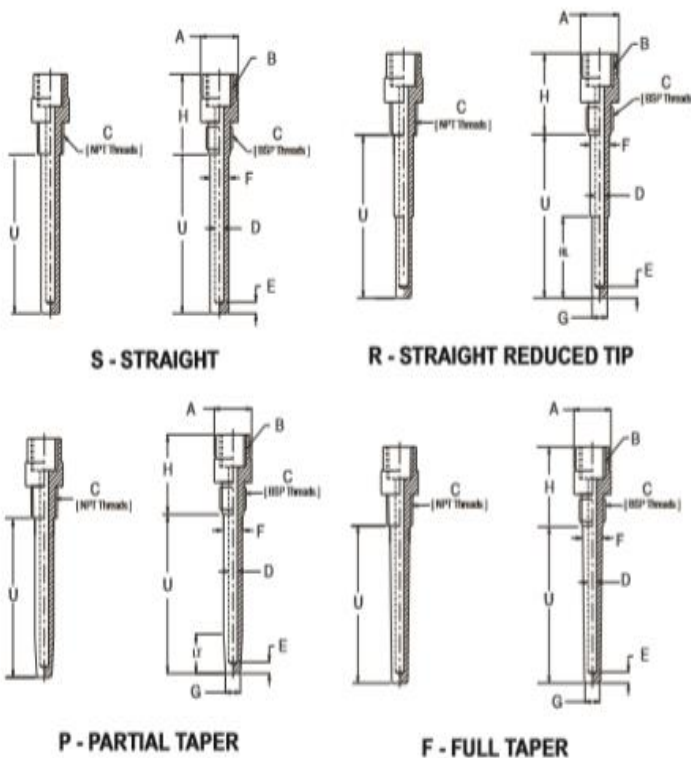
G - Minor Diameter

U - Insertion Length

H - Extension Length

RL - Reduced Tip Length

LT - Taper Length





## Technical Description:

---

**Type** : Straight, Straight reduced tip, Partial Taper, Full Taper  
**Material** : SS316/SS304, SS304L/SS316L, Monel, Inconel, Hastelloy, Carbon Steel, Titanium

**Instrument Connection** : 1/2", 3/4", 3/8", 1" (NPT & BSP)  
**Process Connection** : 1/2", 3/4", 3/8", 1" (NPT & BSP)  
**Type of Head** : Hex Headed, Round Headed with Spanner Slot  
**Flange Finish** : 125AARH (Standard)

**Test & Certification** : IBR Certified, Mechanical Test, PMI Test, IGC Test, Chemical Composition Test, Ultrasonic Test

---