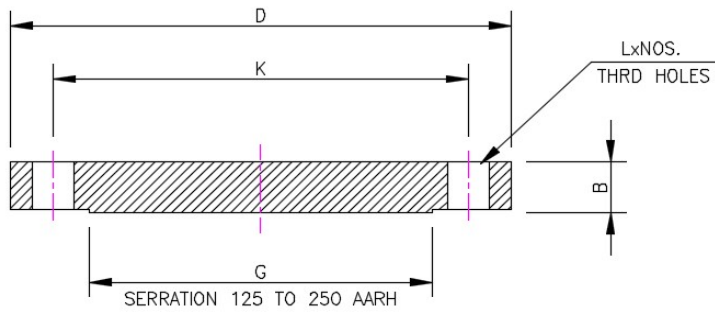


### I. Blind Flange (BLRF)



Material: ASTM 304/304L, ASTM 316/316L, HASTELLOY, MONEL, NCONEL, TANTALUM, PTFE, Other materials on request.

Standard: ASME B16.5.

Size: 1/2" To 24".

Class: 150#, 300#, 600#, 900#, 1500#, 2500#

- Threaded Flange as per customer requirement.