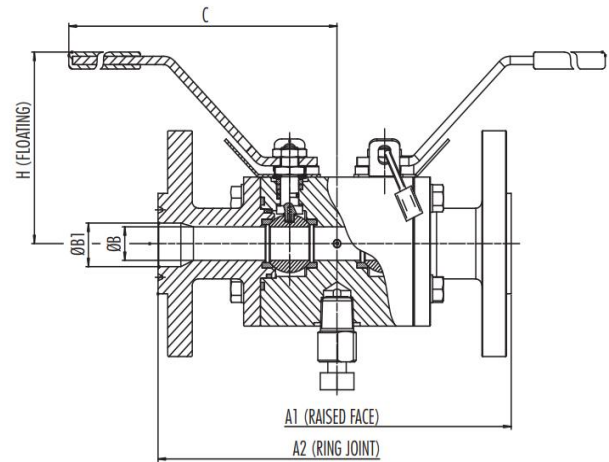




FLANGED ENDS - REDUCED BORE DESIGNED

**FEATURE**

Flange construction as per requirements of ASME B16.5

NPT Threaded connection to ANSI/ASME B1.20.1

Pressure ratings as per ASME B16.34 Class 150 thru 2500

TECHNICAL SPECIFICATION:

MATERIAL: SS316/SS304, SS304L/SS316L, Monel, Inconel, Hastelloy, Carbon Steel, Titanium

SIZE: 1/2", 3/4", 1", 1-1/2", 2", 3", 4", 6", 8"

Pressure: 10000PSI