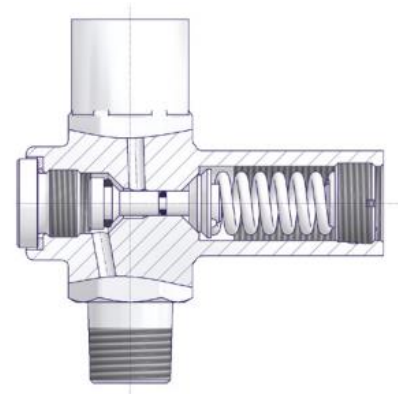




GAUGE SAVER

Gauge Saver/ Gauge Protector are intending to protect the pressure gauge against the effect of pressure that exceeds the maximum pressure rating of the pressure gauge.



Technical Description:

Low Pressure

Size	1/4", 3/8", 1/2" BSP/NPT
Allowable Pressure	30PSI To 60PSI
Material	SS316/SS304, SS316L/SS304L, Duplex, Alloy

Normal Pressure

Size	1/4", 3/8", 1/2" BSP/NPT
Allowable Pressure	60PSI To 1500PSI
Material	SS316/SS304

High Pressure

Size	1/4", 3/8", 1/2" BSP/NPT
Allowable Pressure	1500PSI To 6000PSI
Material	SS316/SS304