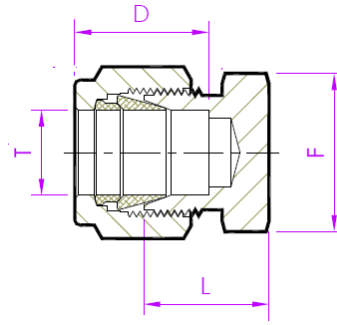




TUBE CAP



TUBE OD	BASIC ORDERING NUMBER	ALL DIMENSIONS IN INCHES (Fractional)		
		D	L	F
1/16	CEI-1-TC-F	0.34	0.39	7/16
1/8	CEI-2-TC-F	0.50	0.53	7/16
3/16	CEI-3-TC-F	0.54	0.58	7/16
1/4	CEI-4-TC-F	0.60	0.63	9/16
5/16	CEI-5-TC-F	0.64	0.67	5/8
3/8	CEI-6-TC-F	0.66	0.72	11/16
1/2	CEI-8-TC-F	0.90	0.75	7/8
5/8	CEI-10-TC-F	0.96	0.78	1
3/4	CEI-12-TC-F	0.96	0.84	1.1/16
7/8	CEI-14-TC-F	1.02	0.94	1.3/8
1	CEI-16-TC-F	1.23	1.03	1.3/8

TUBE OD	BASIC ORDERING NUMBER	ALL DIMENSIONS IN MM MATRIC		
		D	L	F
2M	CEI-2M-TC-F	12.90	13.50	11.0
3M	CEI-3M-TC-F	12.90	13.50	11.0
4M	CEI-4M-TC-F	13.70	14.70	11.0
6M	CEI-6M-TC-F	15.30	15.70	14.0
8M	CEI-8M-TC-F	16.20	17.0	16.0
10M	CEI-10M-TC-F	17.20	19.0	19.0
12M	CEI-12M-TC-F	22.80	19.0	22.0
14M	CEI-14M-TC-F	24.40	19.80	25.0
15M	CEI-15M-TC-F	24.40	19.80	25.0
16M	CEI-16M-TC-F	24.40	19.80	25.0
18M	CEI-18M-TC-F	24.40	21.30	27.0
20M	CEI-20M-TC-F	26.0	23.90	30.0
22M	CEI-22M-TC-F	26.0	23.90	30.0
25M	CEI-25M-TC-F	31.30	26.20	35.0